

Honeywell

SMALL PRECISION
LIMIT SWITCH

CATALOGUE LISTING
924CE SERIES
CHART I

924CE SERIES
CHART I

DRAWING

ISSUE 17

REVISIONS

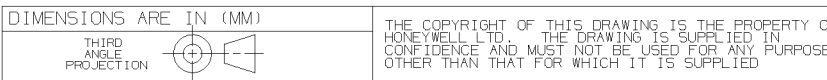
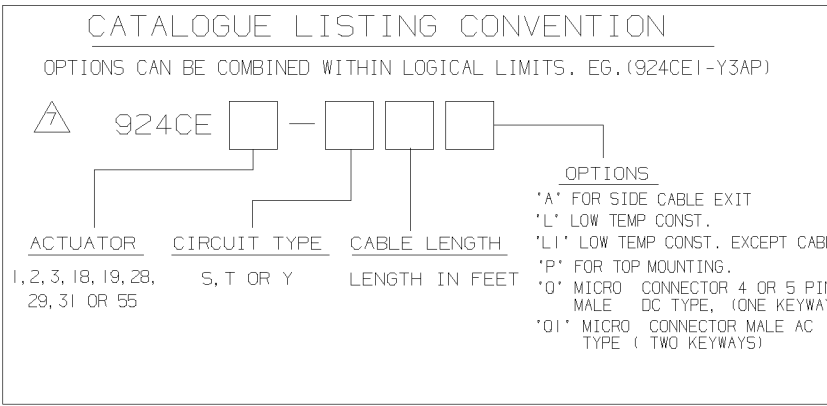
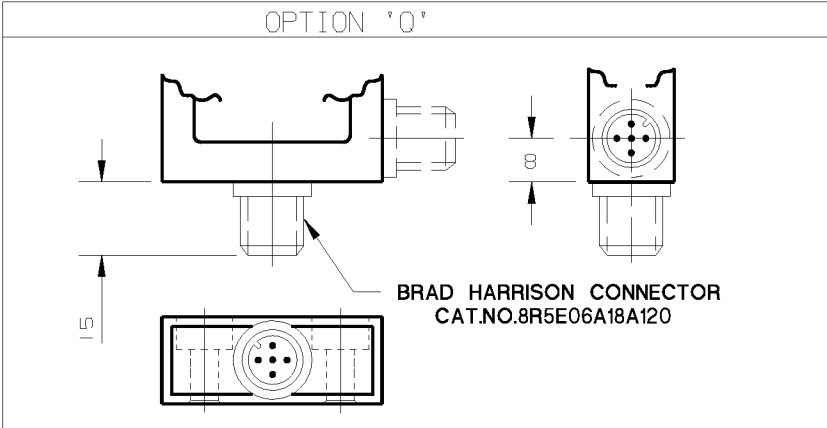
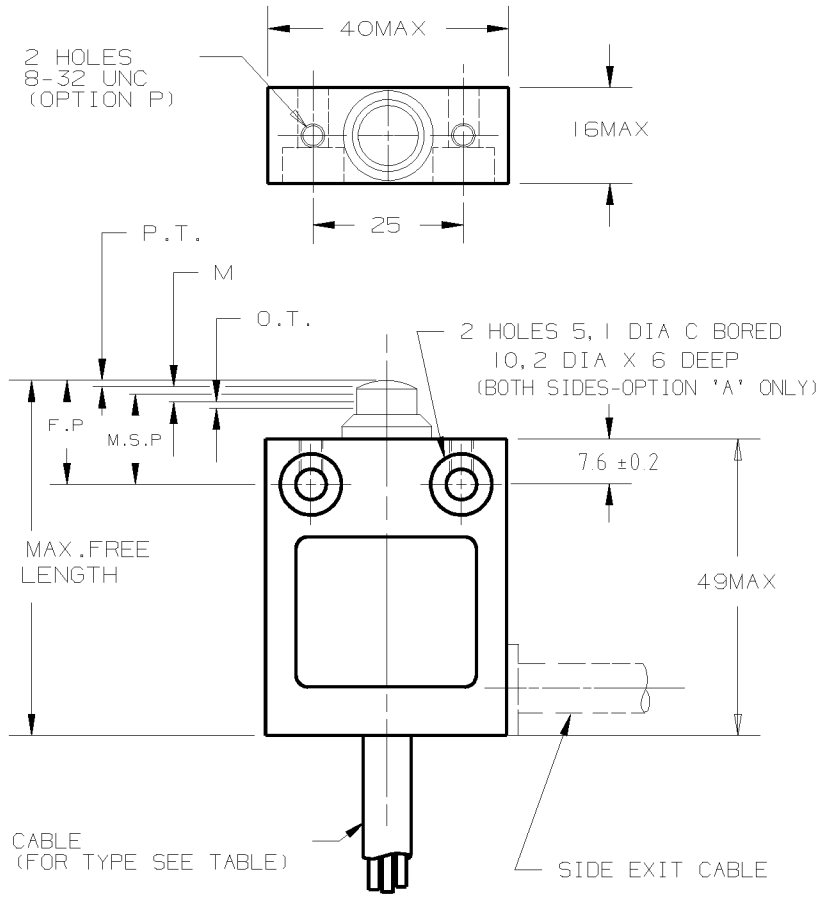
7	MS11189
8	CN14484
31.1.90	ML
9	CN16516
23.8.95	FA
10	CO-000206
1.12.97	ML
11	PR.1495
04.06.02	ML
12	PR.1667
12.01.05	ML
13	PR.1802
21.03.03	
14	PR.1846
12.06.03	
15	PR.1846
15.12.03	
16	0008899
KR	250CT04
17	0021187
RKP	05JUN06

RASTER
DRAWN P.C.C.

REPLACES

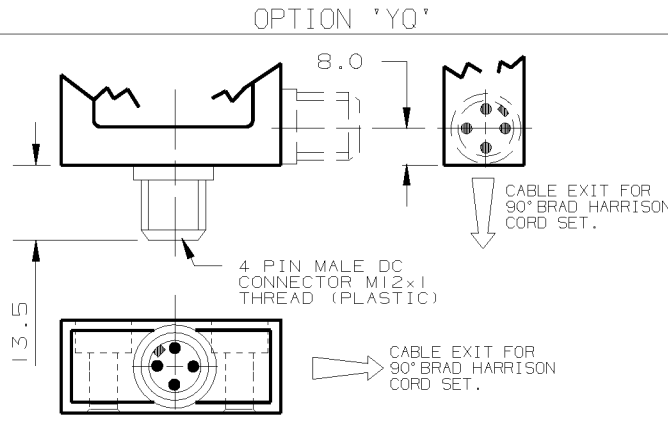
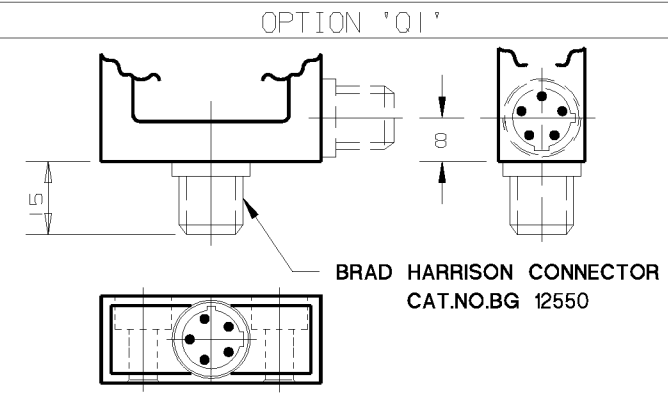
CHECK

TRACED



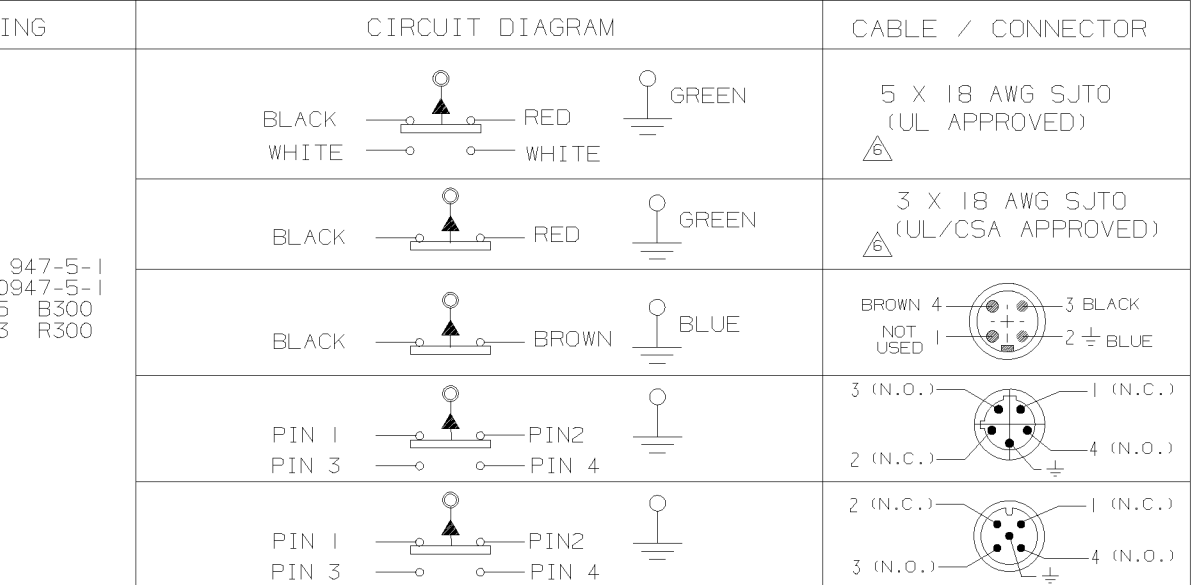
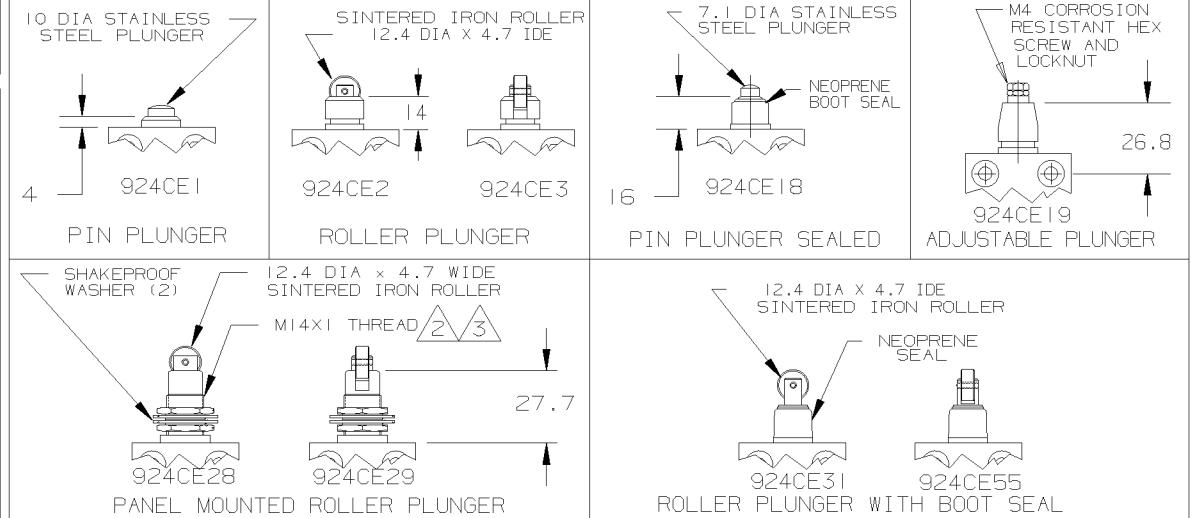
NOTES

- 1 : DIE-CAST HOUSING FINISHED IN RED PAINT
- 2 : SWITCH MOUNTS THROUGH A 14.5 DIA HOLE
- 3 : MAXIMUM PANEL THICKNESS = 4,2
- 4 : THE MINIMUM PLUNGER TRAVEL PAST BREAK FOR A SAFE CONTACT GAP IS 1,5MM (S & Y ONLY)
- 5 : TEMPERATURE RANGE :-
STANDARD CONSTRUCTION : 0 C° to +70° C
LOW TEMP. CONSTRUCTION : -40° C to +70° C
- 6 : LOW TEMP. CABLE TPE SHEATHED (SJE00W /SJTO0W)
- 7 : ALL LOGICAL LISTINGS ARE IEC 947-5-1 APPROVED.



CIRCUIT TYPE	ELECTRICAL RATING	CIRCUIT DIAGRAM	CABLE / CONNECTOR
S BREAK BEFORE MAKE	10A-250 VAC 1/3 HP-125/250 VAC		5 X 18 AWG SJTO (UL APPROVED)
T MAKE BEFORE BREAK	10A-250 VAC 1/3 HP-125/250 VAC		3 X 18 AWG SJTO (UL/CSA APPROVED)
Y SINGLE THROW NORMALLY CLOSED	10A-250 VAC 1/3 HP-125/250 VAC		BROWN 4 - 3 BLACK NOT USED 1 - 2 1/2 BLUE
DC CONNECTOR 4 PIN, M12 THREAD (OPTION 'YO')	250VAC, 4A		
AC CONNECTOR 5 PIN (OPTION 'O1')	250VAC, 4A		
DC CONNECTOR 5 PIN (OPTION 'O')	250VAC, 4A		

MAX FREE LENGTH	FREE POS'N (F.P.)	OPERATING FORCE MAX		MAX SAFE POS'N (M.S.P.)	OVER-TRAVEL MIN (O.T.)	MAKE TO BREAK DIST (M)	BREAK TO MAKE DIST (M)	P.T. MAX (P.T.)	ISSUE	SWITCH TYPE
		KG.F.	NEWTONS							
59	17.1 ± 0.4	2.3	22.5	13.1	1		2±0.5	2.2	5	924CE1-S
					0.5	0.7±0.5	4	5	924CE1-T	
				13.1			2.2	5	924CE1-Y	
72	29.9 ± 0.4	2.3	22.5	25.9	1		2±0.5	2.2	5	924CE2-S
					0.5	0.7±0.5	4	5	924CE2-T	
				25.9			2.2	5	924CE2-Y	
72	29.9 ± 0.4	2.3	22.5	25.9	1		2±0.5	2.2	5	924CE3-S
					0.5	0.7±0.5	4	5	924CE3-T	
				25.9			2.2	5	924CE3-Y	
67.5	23.9 ± 0.4	2.3	22.5	19.9	1		2±0.5	2.2	1	924CE18-S
					0.5	0.7±0.5	4	1	924CE18-T	
				19.9			2.2	1	924CE18-Y	
82.4	ADJUSTABLE 32 TO 39 *	2.3	22.5	28 AT 32 35 AT 39 *	1		2±0.5	2.2	1	924CE19-S
					0.5	0.7±0.5	4	1	924CE19-T	
				28 AT 32 35 AT 39 *			2.2	1	924CE19-Y	
86	43.9 ± 0.4	2.3	22.5	39.9	1		2±0.5	2.2	5	924CE28-S
					0.5	0.7±0.5	4	5	924CE28-T	
				39.9			2.2	5	924CE28-Y	
86	43.9 ± 0.4	2.3	22.5	39.9	1		2±0.5	2.2	5	924CE29-S
					0.5	0.7±0.5	4	5	924CE29-T	
				39.9			2.2	5	924CE29-Y	
78	35.7 ± 0.4	2.6	25.5	31.7	1		2±0.5	2.2	5	924CE31-S
					0.5	0.7±0.5	4	5	924CE31-T	
				31.7			2.2	5	924CE31-Y	
78	35.7 ± 0.4	2.6	25.5	31.7	1		2±0.5	2.2	5	924CE55-S
					0.5	0.7±0.5	4	5	924CE55-T	
				31.7			2.2	5	924CE55-Y	



THE COPYRIGHT OF THIS DRAWING IS THE PROPERTY OF HONEYWELL LTD. THE DRAWING IS SUPPLIED IN CONFIDENCE AND MUST NOT BE USED FOR ANY PURPOSE OTHER THAN THAT FOR WHICH IT IS SUPPLIED